

Airflo

INSTRUCTION MANUAL



Bar Cooler

(Available in single, 2-Door and 3-Door)

IMPORTANT SAFETY INSTRUCTIONS

Before switching on your Bar Cooler for the first time, read the information in this Users' Manual carefully. Keep this booklet in a safe place for future reference. If you ever sell your appliance, hand this manual to the new owner.

The manufacturer does not accept responsibility for any damages that may arise from failure to follow the instructions in this manual.

- Do not use damaged appliances. If you are in any doubt, consult an authorized service center agent.
- Connection and installation of your Bar Cooler are to be carried out in strict compliance with the manual's guidelines.
- For safety purposes, the appliance must be properly earthed in accordance with specifications.
- Do not damage any parts of the appliance which carry refrigerant by piercing, perforating, crushing, twisting or scraping. If the refrigerant comes into contact with the eyes, it may cause serious eye injury.
- Always remember to unplug the appliance before cleaning. Never unplug your appliance by pulling on the power cable. Always grip the plug firmly and pull straight out from the socket. Always check that the plug and cable are undamaged.
- All repairs must be carried out by qualified service agents. Inadequate repairs may be dangerous. Never try to repair the Bar Cooler yourself.
- Should the cover of the interior light of the fan fall off or break, switch the Bar Cooler off immediately and replace the cover.
- Ensure your chosen location has a flat and stable surface. The unit may be leveled by turning either or both of the adjustable feet in the front corners.
- Check the unit is level using a spirit level.
- Do not obstruct or cover the ventilation aperture.
- Do not position this appliance with its rear panel directly against a wall. Maintain a gap of at least 50mm between the appliance and any adjacent wall.
- Position the Bar Cooler away from heat sources. The Bar Cooler should be placed in a well-ventilated and protected from moisture or extreme heat or cold. Note that the refrigerator may not function properly if the temperature rises

above 30°C. The refrigerator meets the operating conditions according to the standard EN 441-4 in climate class 4. A 10A fuse is fitted. Never replace with a fuse rated higher than this.

- Do not allow children to play with the appliance or to sit on it or to hang onto the door.
- Make sure there is a suitable power outlet (230 volts, 13 amps outlet) with proper grounding to power the refrigerator.
- Do not store explosive substances such as aerosol cans with a flammable propellant in this appliance.
- Ensure all vents are clear of obstruction particularly if the unit is built-in.
- Do not use mechanical devices or other means to accelerate the defrosting process, other than those recommended by the manufacturer.
- Do not damage the refrigerant circuit.
- Do not use electrical appliances inside the food storage compartments of the appliance, unless they are the type recommended by the manufacturer.

BEFORE USING FOR THE FIRST TIME, do not position this appliance with its rear panel directly against a wall. For good circulation and operating efficiency, the ventilation grills must never be blocked.

Remove all packaging and place the Bar Cooler on a stable, secure and flat surface.

Never use an extension lead. If the mains cable does not reach the nearest socket, either rearrange your layout or ask a qualified electrician to fit a new socket.

If the power is cut off, wait for at least 5 minutes before plugging the unit in again to avoid damaging the compressor.

Do not place combustible, explosive or volatile articles / items, corrosive acid or alkali or liquid in glass containers into the chiller. Always exercise caution when adjusting the temperature.

IMPORTANT: Allow the refrigerator to stand upright for 24 hours before plugging it in.


OPERATION

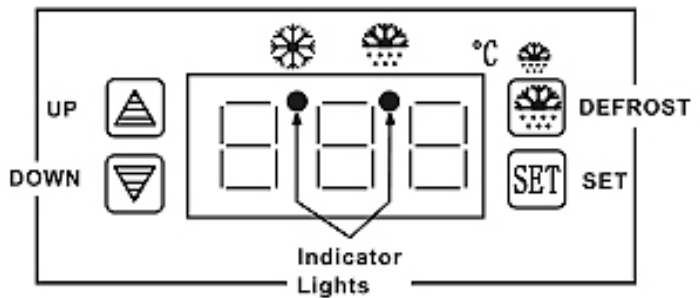
- Place the shelves firmly on their supports. Check that the refrigerator is functioning properly before installing and filling it. An optional light switch is inside the unit.


- Never put warm or hot food directly into the Bar Cooler.


There are several types of controller/thermostat for different models. Please check which type of controller is on your unit.

ELECTRONIC THERMOSTAT

- During normal operation, the controller display  will show the temperature inside the refrigerator.





- A small indicator light  will illuminate under the “Cooling” symbol to confirm the fridge is in its normal cooling mode and compressor is running.


- When temperature is reached and the compressor is in its “Off” cycle, no indicator light will illuminate in the controller: 

OPERATION OF THE CONTROLLER


To set the desired temperature of the fridge:

- Press the  button once. A “beep” will sound and the display will start to flash.



- Use the  buttons to set to the desired temperature.

- Press  again to complete the operation, or just leave it for 5-10 seconds and the display will revert back to showing internal temperature while new settings is saved.




Note: The fridge is built to automatically defrost and prevent any ice forming on the evaporator. When in a “Defrost” cycle, the indicator light will illuminate

under the “Defrost” symbol: 

To manually activate “Defrost” cycle:

- Press the  button and hold it for 6 seconds until a “beep” can be heard.
- The indicator light will now illuminate under the “Defrost” symbol  and the fridge is into a “Defrost” cycle.
- “Defrost” will run for 20 minutes and then automatically revert to normal operation.

To manually change back to normal operating mode from the “Defrost” mode:

- Press the  button again. Hold the button for 6 seconds until a “beep” is heard.
- Both indicator lights under the “Defrost” symbol and under the “Cooling” symbol will now flash  while the fridge is gearing up to switch back to normal operation.
- After 5-20 minutes, only the indicator light  will illuminate under the “Cooling” symbol to confirm the fridge is back in its normal cooling mode.

MECHANICAL THERMOSTAT

Thermostat settings

- Thermostat “Off” position indicates the Bar Cooler is switched off although power is still supplied. By turning the thermostat dial clockwise, the Bar Cooler will switch on automatically. The settings MIN-MAX will regulate the interior temperature of the Bar Cooler.

Setting Off = Not operating

Setting MIN = Lowest setting
(warmest internal temperature)

Setting MAX = Highest setting
(coldest internal temperature)



- Adjust the internal temperature as required according to the amount of product and the ambient temperature.
- The internal temperature varies in different parts of the Bar Cooler. The back of the Bar Cooler is coldest.

IMPORTANT

- The fridge will go through a normal periodical defrosting cycle and a manual defrosting operation is only required in most extreme cases. It is better to avoid if not necessary.
- While in the “Defrost” mode, the fridge cooling power is reduced as the compressor is not working. The automatic cycles ensure the defrosting is done in the most efficient manner and when required. It is not recommended to leave the fridge in the manually set Defrost mode for prolonged periods of time though.
- Note that it is not recommended to operate the fridge on settings that run below 4°C/ MAX as such setting will cause content at the rear of the fridge (closest to the evaporator) to freeze. It will also result to unnecessary strain on the cooling system and undue high energy consumption.
- In normal operation, the controller turns the compressor off at the set temperature and back on after the temperature rise by around 5°C. As such, the reading in the electronic controller is almost always a few degrees above set-point, which is perfectly okay.

DEFROSTING / MAINTENANCE

- Ice may build up on the evaporator if the unit is put to work constantly for a period of time. When ice begins to build up to approximately 10mm or 1/5 inch thick, defrost is required.
- Empty the cabinet, switch the thermostat to “Off” position. The ice will start to melt.
- When the ice has melted and drained away, dry off any residual moisture with a soft cloth.
- Switch the power on again via the thermostat.
- Note that it may take around 12 hours for the cabinet to get back down to the previous temperature set.

CLEANING

- Unplug your Bar Cooler and remove any items inside (preferably to a suitable back-up refrigerator).
- Wash the inner compartment with warm water and neutral detergent.

- Do not allow the control panel, cables or plug to get wet.
- Never use corrosive detergents, wire brushes or abrasive scourers to clean your Bar Cooler. Also, never use metal or sharp implements to remove debris / dirt.
- Dry all surface thoroughly.
- To ensure a trouble-free operation, the condenser should be cleaned every three months, where appropriate, using a vacuum hose. The condenser is located behind the lower grill of the cabinet. In exceptionally dusty locations, the condenser should be cleaned often.
- Use mild, soapy water to clean the gasket and seals.

REPLACING LAMPS

- Unplug the power plug.
- Remove the screws on both end of the light cover. Take down the lamp cover, pull out the wires and then take out the lamp.
- Install the new lamp, connect the wires, place the lamp cover and fasten.

DISPOSAL OF PACKAGING

- Do not allow children to play with the packaging. Destroy plastic bags safely.
- The cardboard may be broken or cut into smaller pieces and given to a waste paper disposal service. The wrapping foil is made of polyethylene. The polyethylene pads and stuffing contain no fluorochloric hydrocarbons.
- All these packaging materials may be taken to a waste collecting depot and used again after adequate recycling.