

# Ovation

## INSTRUCTION MANUAL



### Pizza Oven and Griller

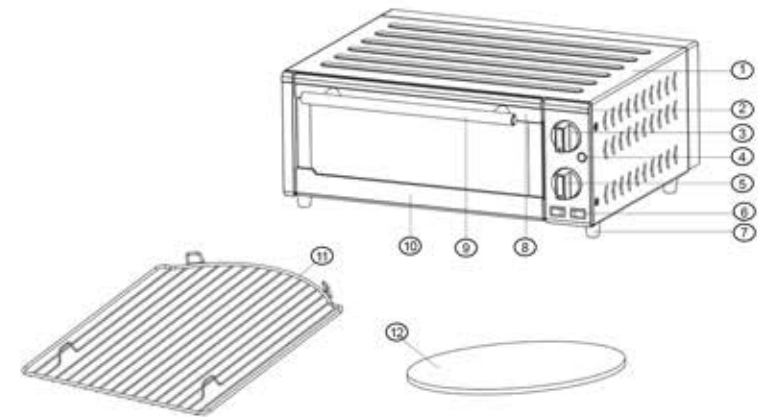
Model OV15

#### IMPORTANT SAFETY REMINDERS

- Read all instructions, product labels and warnings before using the Pizza Oven.
- This appliance should be for domestic use only, as described in this users' guide. Please ensure that this manual is fully understood before using the appliance.
- This appliance is not intended for use by persons (including children) with reduced physical, sensory or mental capabilities, or lack of experience and knowledge, unless they have been given supervision or instruction concerning use of the appliance by a person responsible for their safety. Children should be supervised to ensure that they do not play with the appliance.
- To ensure the continued safe and efficient operation of this appliance, we recommend that any servicing or repairs are only carried out by an authorised service agent.
- The use of accessory attachments not recommended by the appliance manufacturer may cause injuries.
- Do not touch hot surfaces. Always use oven mitts when handling hot materials and allow metal parts to cool before cleaning. Always use the oven handles when moving the unit.
- To protect against risk of electrical shock, do not immerse the cord, plug, or appliance in water or any other liquids.
- Do not operate this or any appliance with a frayed or damaged cord or plug or after the appliance malfunctions or is dropped or has been damaged in any manner. Return the oven to the nearest authorized service facility for examination, repair or adjustment.
- Do not use attachments not recommended by the manufacturer; they may cause fire, electric shock or personal injury.
- Do not use outdoors.
- Do not use this appliance for other than its intended use.
- Do not let the cord dangle over the edge of a tabletop or countertop or touch hot surfaces.
- Do not place the appliance near a hot gas or electric burner or in a heated oven.

- Extreme caution should be used when using containers constructed of material other than metal or glass.
- A fire may occur if the oven is covered or touching flammable materials, including curtains, draperies, walls, etc., when in operation. Do not store any items on top of the appliance when in operation.
- Do not store any materials other than manufacturer's recommended accessories in the oven when not in use.
- Do not place any of the following materials in the oven: cardboard, plastic, paper, or any material that may catch fire or melt.
- Do not cover the oven tray or rack with metal foil. This will cause overheating of the appliance.
- Oversized foods or metal utensils must not be inserted in the appliance as they may create a fire or risk of electrical shock.
- Do not clean with metal scouring pads. Pieces can break off the pad and touch electrical parts involving a risk of electrical shock.
- Use extreme caution when removing the tray, racks or disposing of hot grease or other hot liquids.
- Always wear protective, insulated oven gloves or use a special handle when inserting or removing items from the hot oven.
- The temperature of accessible surfaces may be high when the appliance is operating.
- If the supply cord is damaged, it must be replaced by the manufacturer, its service agent or similarly qualified persons in order to avoid a hazard.
- The appliances are not intended to be operated by means of an external timer or separate remote-control system.
- Do not use the appliance near or below combustible material, such as curtains.

## PARTS



- |                             |                         |                       |
|-----------------------------|-------------------------|-----------------------|
| 1. Housing                  | 5. Timer control knob   | 9. Handle             |
| 2. Control panel            | 6. Heaters control knob | 10. Lower door holder |
| 3. Temperature control knob | 7. Oven foot            | 11. Wire rack         |
| 4. Indicator light          | 8. Upper door holder    | 12. Pizza stone       |

## USING YOUR PIZZA OVEN

**Note:** Before using your pizza oven for the first time, be sure to:

- Read all of the instructions included in this manual.
- Remove any stickers from the surface of the oven.
- Open oven door and remove all printed documents and paper from inside the Pizza Oven.
- Clean the pan with hot water. Use a small amount of dishwashing liquid and a nonabrasive sponge or cleaning pad. Please note that the Pizza Stone should not be cleaned with dishwashing liquid. Water will suffice.
- Do not immerse the cord, plug or body of the unit in water.
- The Pizza Oven should be placed in an open area and on a flat counter where the plug will reach an outlet.
- Plug the pizza oven into an electrical outlet.



- Make sure that the oven is unplugged and the Time Control is in the "OFF" position. Thoroughly dry all accessories and re-assemble in oven. Plug oven into outlet and you are ready to use your new Pizza Oven.

**Note:** Initial start-up operation may result in minimal smell and smoke. This is normal and harmless. It is due to burning of the protective substance applied to the heating elements in the factory.

**Please familiarize yourself with the following oven functions and accessories prior to first use:**

- **Temperature Control:** choose the desired temperature from 100°C to 230°C for baking broiling or toasting.
- **Timer Control:** To activate the timer segment of the control, turn to the right (clockwise) to toast or use as a timer. This function also has a bell that rings at the end of the programmed time.
- **Power "ON" neon light:** It's illuminated whenever the oven is switched on.
- **Wire Rack:** For baking bread or pizza, and general cooking in casserole dishes and standard pans. Take note when placing the pan or stone on the wire rack, you should use the side with a convex foot to avoid the pan or stone to slide; When using the wire rack to bake bread or other food, it is advisable to use the other flat surface.
- **Pizza Stone:** For baking Pizza or other food.

**WARNING:** To avoid risk of injury or burns, do not touch hot surfaces when oven is in use. Always use oven mitts.

**CAUTION:** Always use extreme care when removing Pizza Stone, Wire Rack or any hot container from a hot oven. Always use the rack handle, or an oven mitt when removing hot items.

### ROASTING

*The oven can cook 12' pizza. You can also roast your favorite cut of meat to perfection. We suggest that you periodically check the cooking progress with a meat thermometer. For best results we recommend that you preheat the oven for 15 minutes. We do not recommend the use of oven roasting bags or glass containers in the oven. Never use plastic cardboard, paper or anything similar in the oven.*

- Brush food with sauces or oil, as desired.
- Place pizza or any other other food on the wire rack, and slide into the unit;

- Turn the time control to the desired cooking time.
- Switch on the Upper heaters control button.
- To check or remove roast, use the handle provided to help you slide the roast in and out.
- When cooking completes, turn off the upper heaters control button.

**Note:** All roasting times are based on meats at refrigerator temperature. Frozen meats may take considerably longer. Use of a meat thermometer is highly recommended.

### TOASTING

*It uses all the heating elements. Large capacity oven allows for toasting 4 to 6 slices of bread, 12' pizza. When toasting only 1 or 2 items, place food on the bake rack in the center of the oven.*

- Turn the thermostat control knob to "250". and Preheat the oven.
- Brush food with sauces or oil, as desired.
- Place pizza or any other other food on the wire rack, and slide into the unit.
- Turn the time control knob to the desired cooking time.
- Turn food over midway through the prescribed cooking time.
- Bell will ring to signal the end of the toast cycle.
- When cooking completes, turn off the upper and lower heaters control button.

**CAUTION:** Always use extreme care when removing bake tray, wire rack or a any hot container from a hot oven. Always use the rack handle, or an oven mitt when removing hot items.

## CLEANING AND MAINTENANCE

- Clean the appliance after every use.
- Remove the plug from the wall socket and allow the appliance to cool down completely.
- Use warm water with a small amount of dishwashing liquid to clean the grill and the removal tool. Rinse the items with plenty of water and dry them thoroughly.
- Use a damp cloth to clean the interior and exterior of the oven and the door. Dry them thoroughly.
- Place all the items back in the oven and store the oven.
- Make sure the plug has been removed from the plug socket before cleaning the appliance.
- Never use corrosive or scouring cleaning agents or sharp objects (such as knives or hard brushes) to clean the appliance.
- Never immerse the appliance, the power cord or the plug in water or any other fluid.